

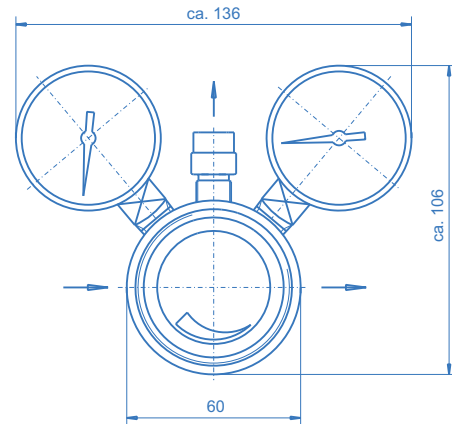
Line pressure regulator LM61 / LM62

spectro lab



Line pressure regulator LM61 / LM62

Dimensions Pressure regulator LM61 / LM62



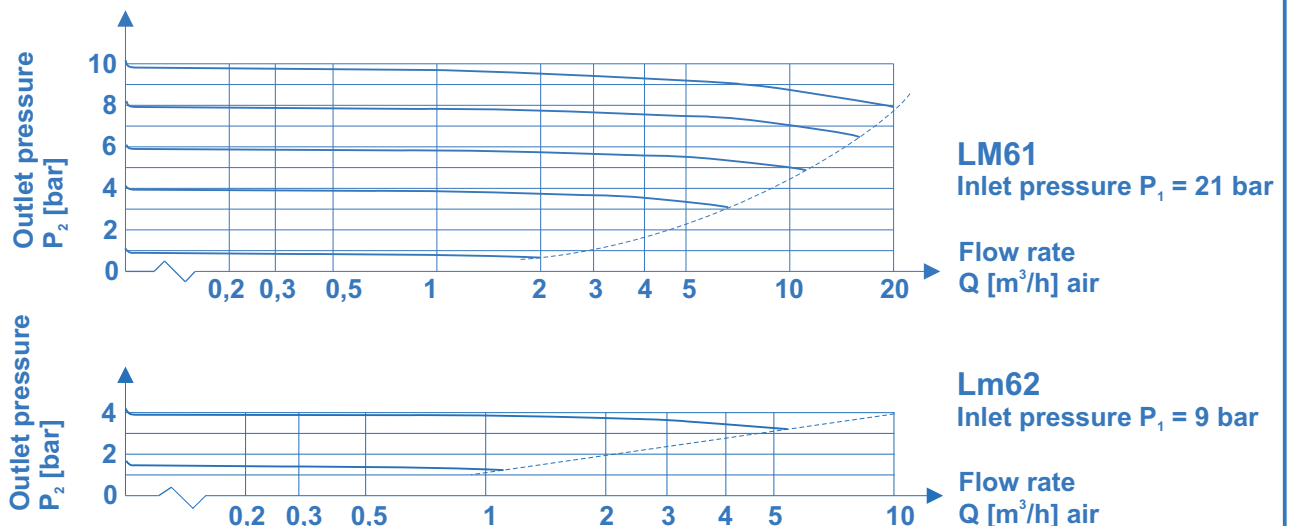
Product features

- Single- or double-stage line pressure regulator for non-corrosive gases and gas mixtures up to quality 6.0
- New laboratory-style design
- Central filter
- High control accuracy
- Integrated relief valve
- Tested for use with oxygen
- Suitable for ECD-applications
- Simple outlet pressure limitation by handwheel
- Powder-coated bonnet
- Piston type regulators for outlet pressure >20 bar

Technical data

Inlet pressure P_1	max. 300 bar
Max. outlet pressure P_2	1,5/4/10/20/50/100 bar
Flow rate Q	see flow curves
Materials	
Body:	chrome-plated brass
Diaphragm:	stainless steel 1.4310
Valve seat:	PA 11 or EPDM
Piston ($P_2 > 20$ bar):	Messing
Connectors	1/4" NPT female
Relief valve connector	1/8" NPT female
Leak rate	1×10^{-8} mbar l/s He
Weight	1,3 kg (LM61) 1,6 kg (LM62)

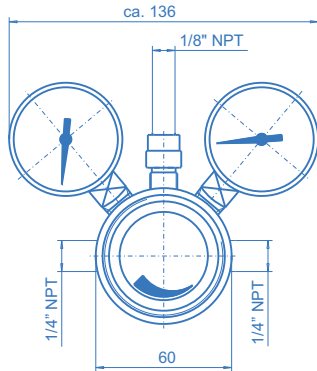
Flow curves LM61 / LM62



Line pressure regulator LM61 / LM62

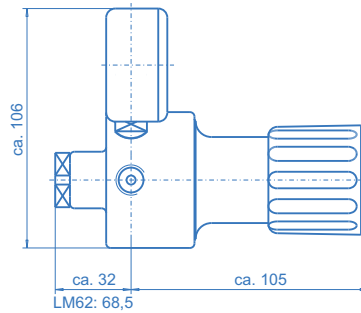
spectro lab

Dimensions - pressure regulator LM61 / LM62



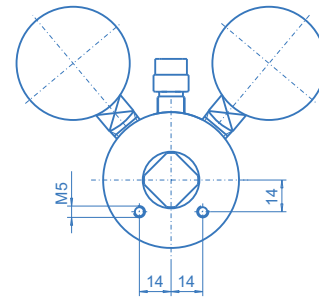
LM61 / LM62

side view



LM61 / LM62

rear view /
mounting information



LM61

Additional configurations upon request!

Ordering information:
LM61 / LM62 series line pressure regulators

LM 61 - 200 - 10 - M - M - A - N₂

Type

- 61 - single-stage
- 62 - double-stage

Inlet pressure P₁

- 40 - max. 40 bar (only LM61)
- 200 - max. 200 bar
- 300 - max. 300 bar

Outlet pressure P₂

- 1,5 - to 1,5 bar (LM62)
- 4 - to 4 bar (LM62)
- 10 - to 10 bar
- 20 - to 20 bar
- 50 - to 50 bar (piston type)
- 100 - to 100 bar (piston type)

Inlet press. indication

- B - plug
- M - pressure gauge
- 0 - 1/4"-NPT-F (port only)

Type of gas

Please specify type of gas!

Relief valve

- B - without relief valve (plug)
- A - relief valve

Outlet press. indication

- B - plug
- M - pressure gauge
- 0 - 1/4"-NPT-F (port only)

Specifications

- SPECTROLAB - components guarantee maximum quality by using high grade materials and a quality assurance program acc. to ISO 9001.
- All components which come into contact with the medium are cleaned in an ultrasonic cleaning system (CFC-free) with the special cleaning process SPECTRO-CLEAN® and are then baked out.
- SPECTROLAB - components undergo a 100% Helium-leak-test.

Pressure indication

- All pressure regulators are equipped with pressure gauges for inlet- and outlet pressure indication.

Important note regarding component selection

- In order to assure safe operation it is essential to take the configuration of the whole system into account when selecting a pressure regulator.
- The function of the regulator, the compatibility of the materials, correlating temperature ranges, correct installation, operation and maintenance in accordance with the relevant regulations are the responsibility of the system designer and the user.